

CROSS-P Series electronic 4-way forklift truck with reach mast and sit-on operator

Technical data in line with VDI 2198

as at: 04/2016

			Icem	Icem	
			CROSS-P 16/312	CROSS-P 20/312	
Identification	1.1	Manufacturer (abbreviation)	Icem	Icem	
	1.2	Manufacturer's type designation	CROSS-P 16/312	CROSS-P 20/312	
	1.3	Drive	electric	electric	
	1.4	Type of operation	seat	seat	
	1.5	Load capacity/rated load Q (t)	1.6	2.0	
	1.6	Load centre distance with l = 800/1000/1200 c (mm)	400/500/600	400/500/600	
	1.8	Load distance, centre of drive axle to fork with l = 800/1000/1200 x (mm)	665/865/1065	665/865/1065	
		Mast pushed forward x ₁ (mm)	205	205	
	1.9	Wheelbase with l = 800/1000/1200 y (mm)	1250/1450/1650	1250/1450/1650	
Weights	2.1	Service weight incl. battery (see line 6.5)	2990 ^{(1) (2)}	3000 ^{(1) (2)}	
			3180 ^{(1) (2)}	3000 ^{(1) (2)}	
			3370 ^{(1) (2)}	3000 ^{(1) (2)}	
	2.4	Axle loading, laden front/rear mast advanced	900/3690 ^{(1) (2)}	710/4280 ^{(1) (2)}	830/4170 ^{(1) (2)}
			960/3820 ^{(1) (2)}	770/4410 ^{(1) (2)}	680/4320 ^{(1) (2)}
	2.5	Axle loading, laden front/rear mast retracted	1020/3950 ^{(1) (2)}	830/4540 ^{(1) (2)}	580/4420 ^{(1) (2)}
			2700/1890 ^{(1) (2)}	2790/2200 ^{(1) (2)}	2940/2060 ^{(1) (2)}
		2860/1920 ^{(1) (2)}	2960/2220 ^{(1) (2)}	2950/2050 ^{(1) (2)}	
		3010/1960 ^{(1) (2)}	3120/2550 ^{(1) (2)}	2970/2030 ^{(1) (2)}	
Wheels, Chass.	3.1	Tyres	SE/PU	SE/PU	
	3.2	Tyre size, front mm	Ø 450	Ø 450	
	3.3	Tyre size, rear mm	Ø 200	Ø 200	
	3.5	Wheels, number front/rear (x = driven wheels)	1x/2	1x/2	
	3.7	Track width, rear b ₁₁ (mm)	1790	1790	
Basic dimensions	4.1	Tilt of fork carriage forward/backward Ba/Bi (°)	1.5/4.5	1.5/4.5	
	4.2	Closed mast height h ₁ (mm)	2120 ⁽¹⁾	2120 ⁽¹⁾	
	4.3	Free lift h ₂ (mm)	70 ⁽¹⁾	70 ⁽¹⁾	
	4.4	Lift height h ₃ (mm)	3075 ⁽¹⁾	3075 ⁽¹⁾	
	4.5	Height, mast extended h ₄ (mm)	3645 ^{(1) (2)}	3645 ^{(1) (2)}	
	4.7	Height of overhead guard (cabin) h ₆ (mm)	2060	2060	
	4.8	Seat height h ₇ (mm)	950	950	
	4.10	Height of wheel arms h ₈ (mm)	300	300	
	4.15	Lowered height h ₁₃ (mm)	45	45	
	4.19	Overall length with l = 800/1000/1200 l ₁ (mm)	1605/1805/2005	1605/1805/2005	
	4.20	Length to face of forks l ₂ (mm)	805	805	
	4.21	Overall width b ₂ /b ₁ (mm)	2200/2620	2200/2620	
	4.22	Fork dimensions s/e/l (mm)	35x130x800/1000/1200	40x130x800/1000/1200	
	4.23	Fork carriage ISO 2328, class/type A, B	2/A ⁽²⁾	2/A ⁽²⁾	
	4.24	Fork-carriage width b ₃ (mm)	1200 ⁽²⁾	1200 ⁽²⁾	
	4.25	Width over forks min/max b ₅ (mm)	260/1200 ⁽²⁾	260/1200 ⁽²⁾	
	4.26	Distance between wheel arms b ₄ (mm)	1275	1275	
4.28	Reach distance with l = 800/1000/1200 l ₄ (mm)	870/1070/1270	870/1070/1270		
4.32	Ground clearance, centre of wheelbase m ₂ (mm)	70	70		
4.35	Aisle width for l = 800/1000/1200 Ast (mm)	1905/2105/2305	1905/2105/2305		
4.35	Turning radius with l = 800/1000/1200 Wa (mm)	2410/2530/2660	2410/2530/2660		
4.37	Length across wheel arms with l = 800/1000/1200 l ₇ (mm)	1605/1805/2005	1605/1805/2005		
Perform. data	5.1	Travel speed, laden/unladen km/h	6.2/6.3	6.2/6.3	
	5.2	Lift speed, laden/unladen m/s	0.11/0.16	0.10/0.16	
	5.3	Lowering speed, laden/unladen m/s	0.30/0.20	0.30/0.20	
	5.4	Reaching speed, laden/unladen m/s	0.1	0.1	
	5.8	Max. gradient performance, laden/unladen %	-	-	
	5.10	Service brake	electronic	electronic	
Electric eng.	6.1	Drive motor rating S ₂ 60min kW	3.5	3.5	
	6.2	Lift motor rating at S ₃ 10% kW	4	4	
	6.4	Battery voltage, nominal capacity K _s V/Ah	24/625	24/625	
	6.5	Battery weight kg	450	450	
8.1	Type of drive control	AC	AC		
8.4	Sound level at driver's ear according to EN 12 053 dB (A)	70	70		

(1) Data referring to standard configuration with h = 3120 mm duplex mast. Other configurations available in "Mast table".

(2) Data referring to standard configuration with 1200 mm-wide fork carrier plate. Other configurations available in "Mast table".

CROSS-P Series electronic 4-way forklift truck with reach mast and sit-on operator

Technical data in line with VDI 2198

as at: 04/2016

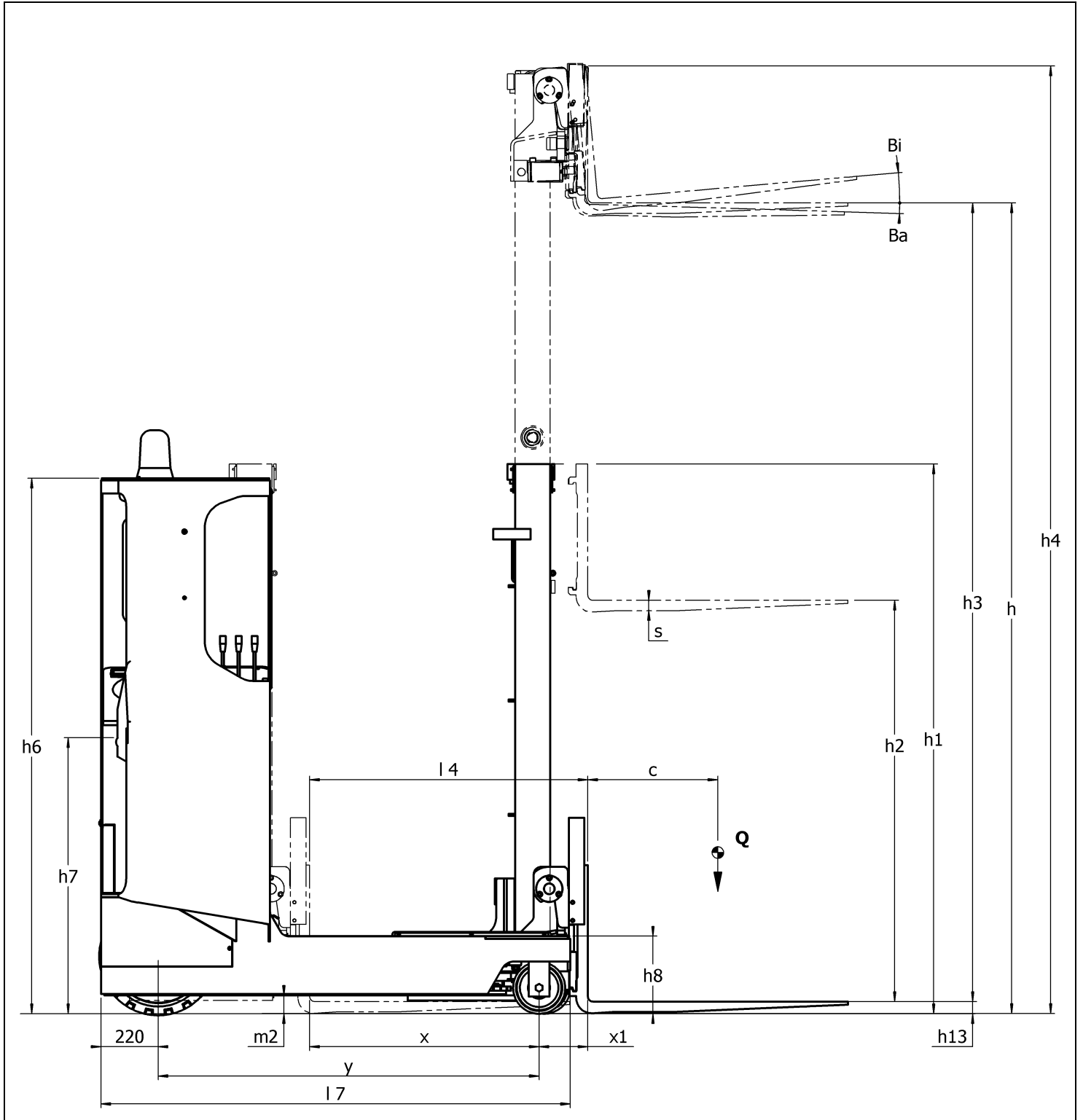
Mast table

Type	h (mm)	4.4 h ₃ (mm)	4.2 h ₁ (mm)	4.3 h ₂ (mm) with b ₃ /b ₃ opt.	4.5 h ₄ (mm) with b ₃ - b ₃ opt.	4.23 Class / Type with b ₃ - b ₃ opt.	4.24 b ₃ /b ₃ opt. (mm)	4.25 b ₅ /b ₅ opt. (mm)
DUPLEX	3120	3075	2120	70/70	3645/3865	2/A - 2/custom	1200/2880	1200/2800
	3320	3275	2220		3845/4065			
	3520	3475	2320		4045/4265			
	3720	3675	2420		4245/4465			
	3920	3875	2520		4445/4665			
	4120	4075	2620		4645/4865			
DUPLEX GAL	3120	3075	2120	1550/1330	3645/3865	2/A - 2/custom	1200/2880	1200/2800
	3320	3275	2220	1650/1430	3845/4065			
	3520	3475	2320	1750/1530	4045/4265			
	3720	3675	2420	1850/1630	4245/4465			
	3920	3875	2520	1950/1730	4445/4665			
	4120	4075	2620	2050/1830	4645/4865			
TRIPLEX	4060	4015	1920	-	4585/4805	2/A - 2/custom	1200/2880	1200/2800
	4360	4315	2020		4885/5105			
	4660	4615	2120		5185/5405			
	4960	4915	2220		5485/5705			
	5260	5215	2320		5785/6005			
	5560	5515	2420		6085/6305			
TRIPLEX GAL	4060	4015	1920	1350/1130	4585/4805	2/A - 2/custom	1200/2880	1200/2800
	4360	4315	2020	1450/1230	4885/5105			
	4660	4615	2120	1550/1330	5185/5405			
	4960	4915	2220	1650/1430	5485/5705			
	5260	5215	2320	1750/1530	5785/6005			
	5560	5515	2420	1850/1630	6085/6305			

CROSS-P Series electronic 4-way forklift truck with reach mast and sit-on operator

Technical data in line with VDI 2198

as at: 04/2016

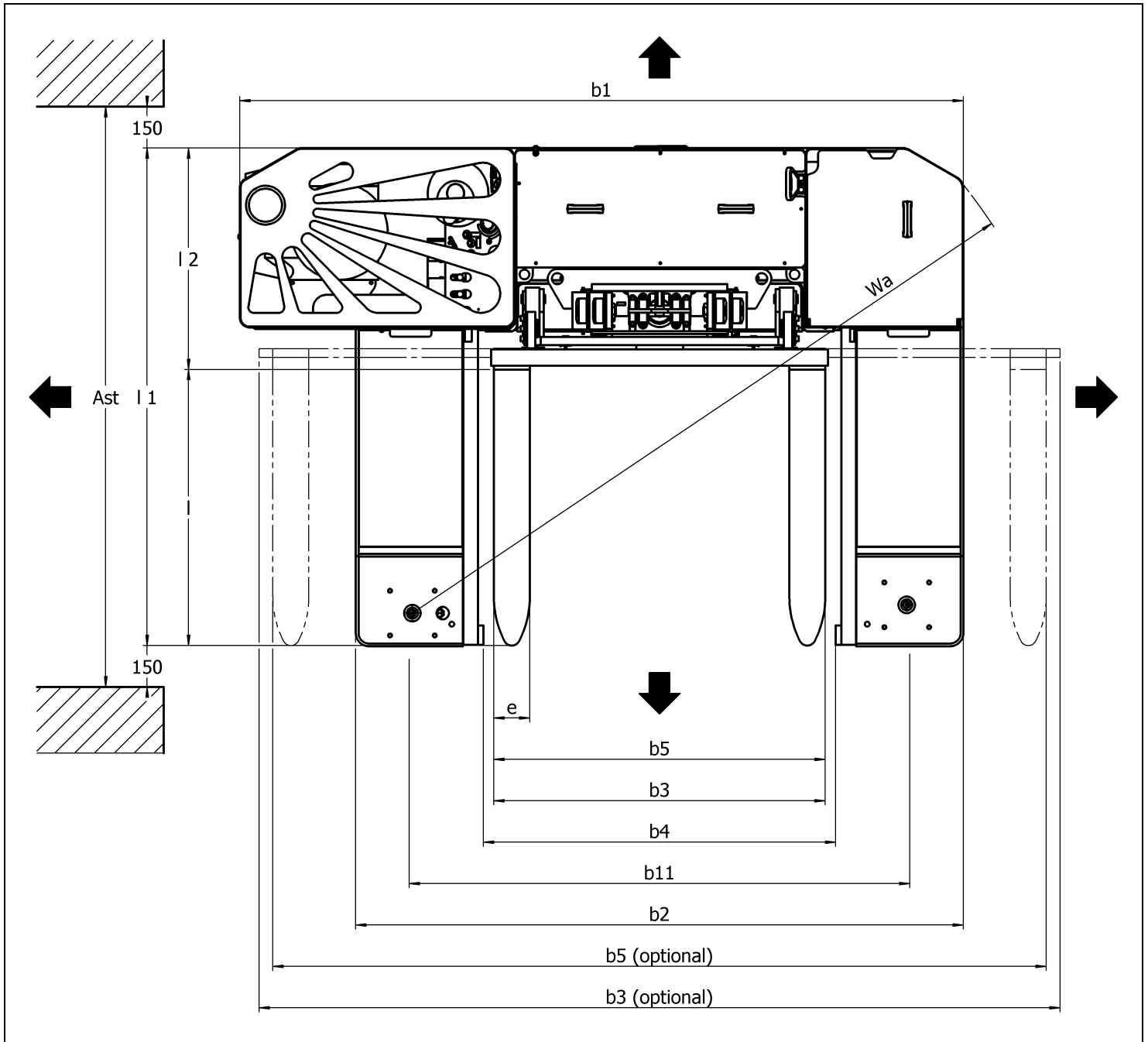


This specification sheet according to VDI regulation 2198 only provides technical values for the standard truck. Non-standard tyres, different masts, additional equipments, etc., could produce other values. Right reserved for technical changes and improvements.

CROSS-P Series electronic 4-way forklift truck with reach mast and sit-on operator

Technical data in line with VDI 2198

as at: 04/2016



This specification sheet according to VDI regulation 2198 only provides technical values for the standard truck. Non-standard tyres, different masts, additional equipments, etc., could produce other values. Right reserved for technical changes and improvements.